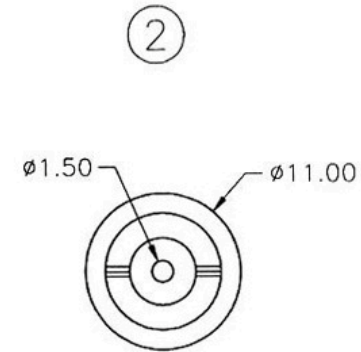
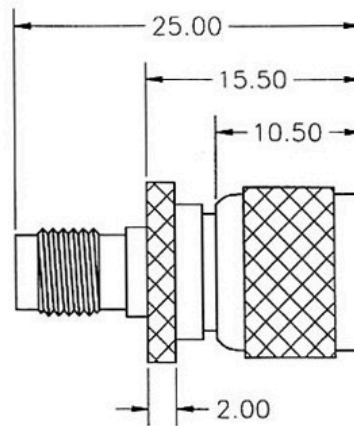
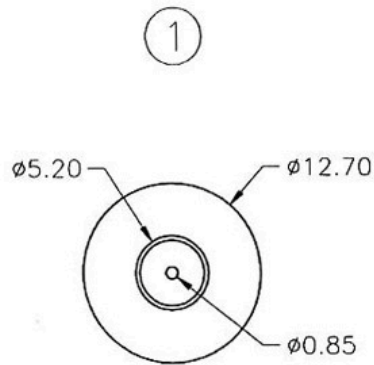


Show Me

CABLES

REVISIONS				
ZONE	REV	DESCRIPTION	DATE	APPROVED



- ① SMA FEMALE
- ② MINI UHF MALE
- NOTE: GOLD PLATED CENTER CONTACTS

BY	DATE		
DRAWN <i>R.M.</i>	07/30/98		
CHK'D		PART NO	
APPRV			
MATERIAL	SEE NOTES		
FINISH	SEE NOTES	UNITS	SHEET
		mm	1 OF 1
		SCALE	NONE